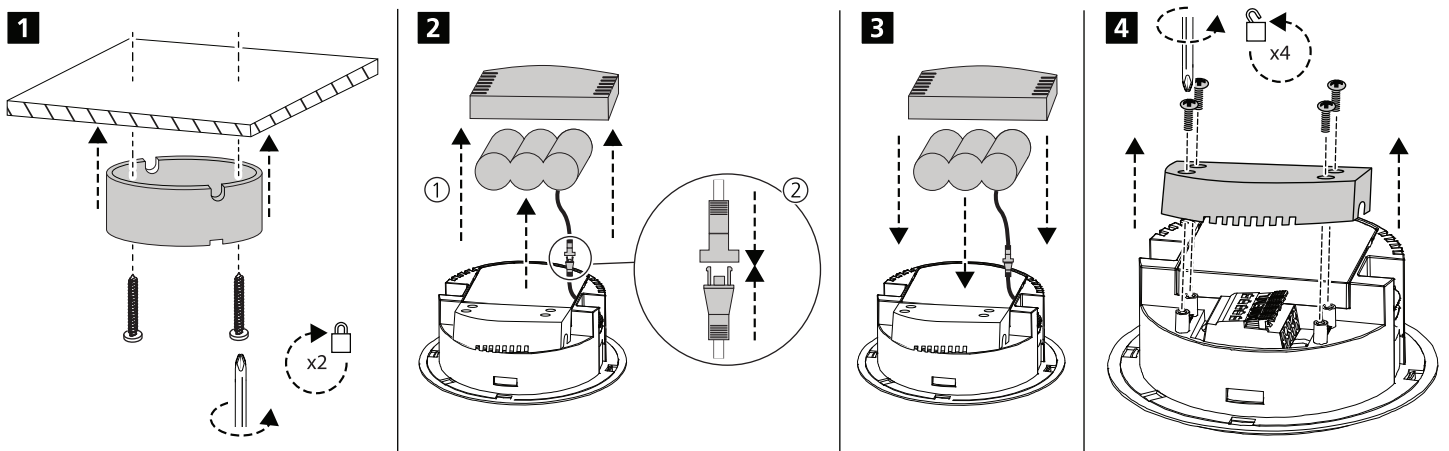
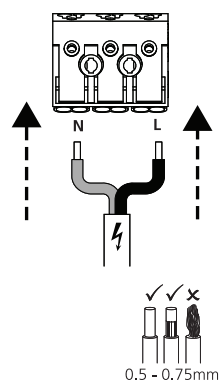


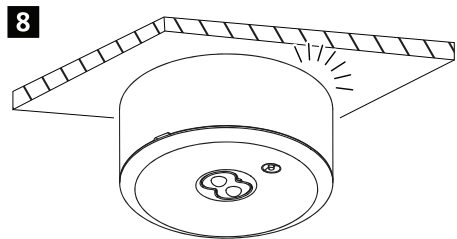
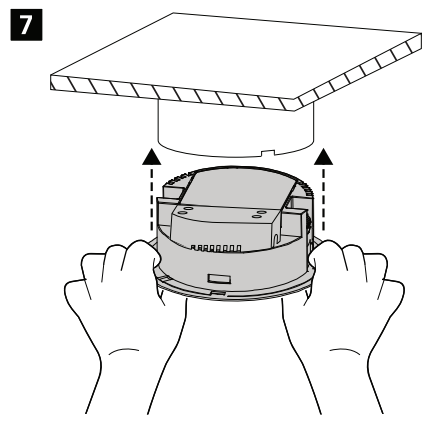
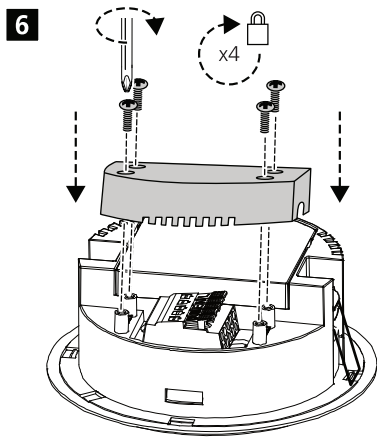
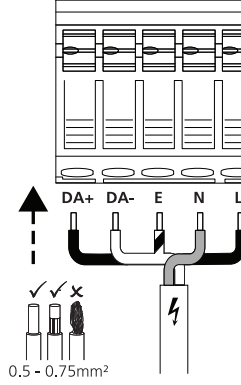
Surface mount



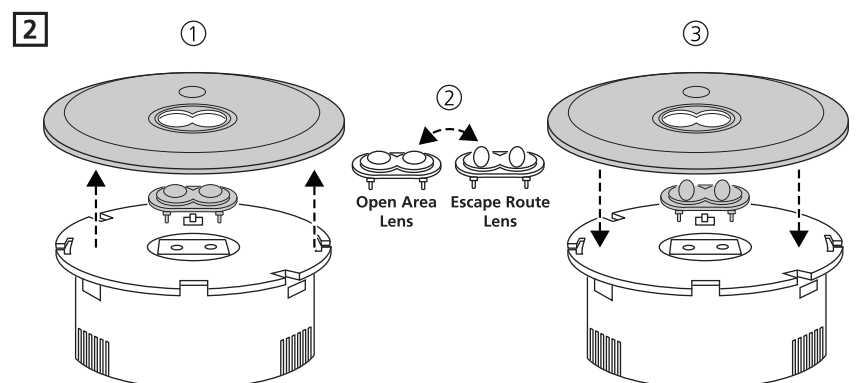
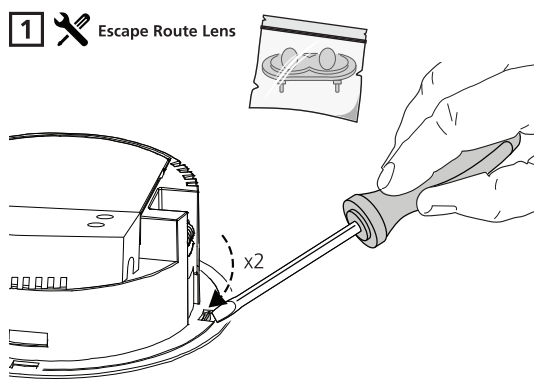
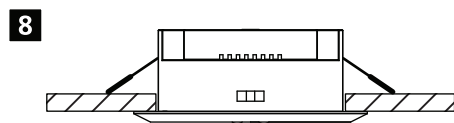
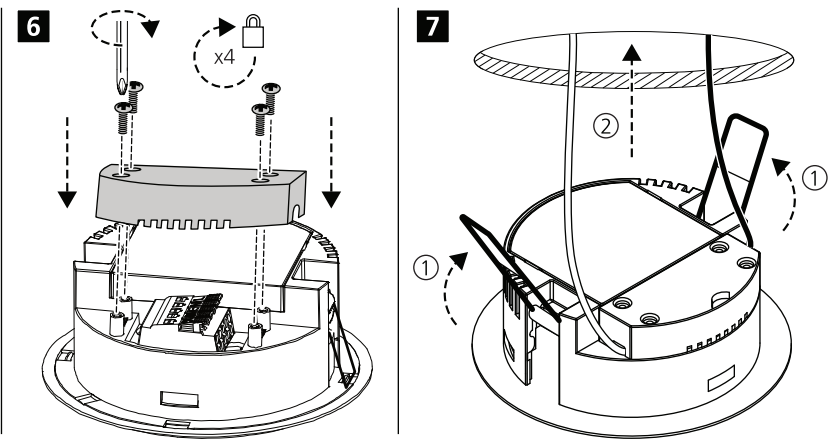
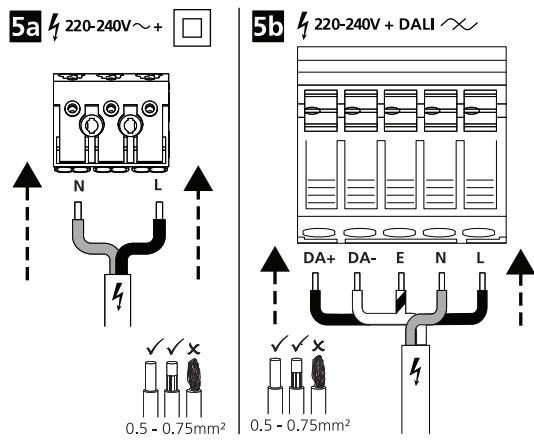
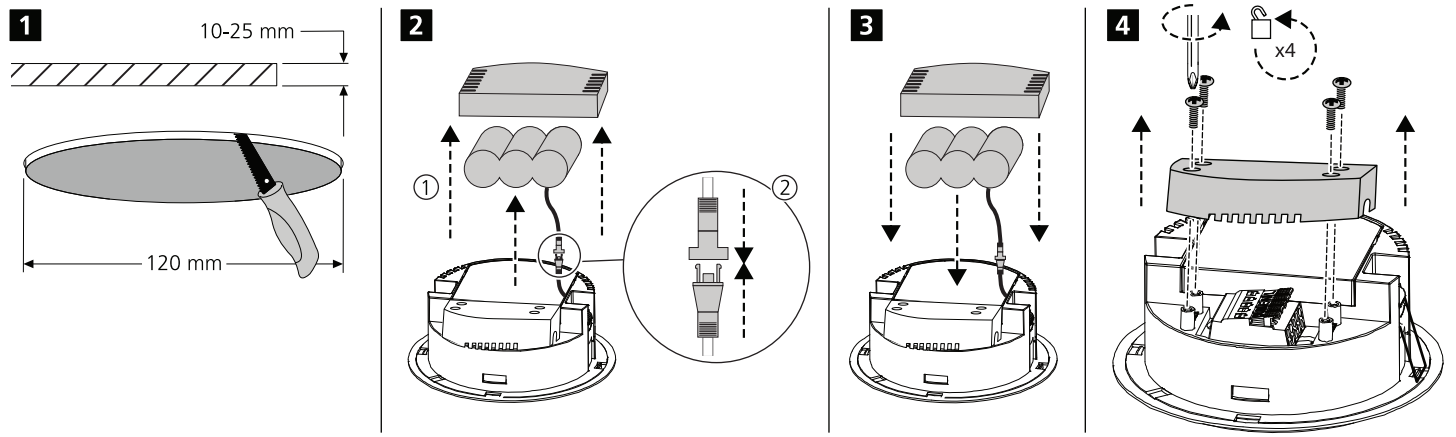
5a 220-240V~+

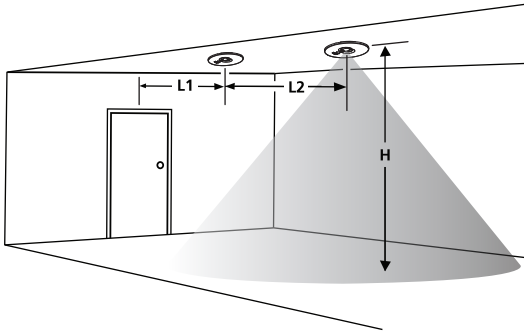


5b 220-240V + DALI ~



Recessed mount

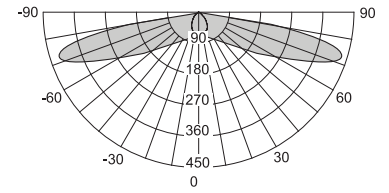




Escape Route Lens

0038810 / 12		(CO)		(C90)	
H	L1	L2	L1	L2	
2.5m	2.68m	5.7m	10m	21.1m	
3.0m	2.8m	6.5m	10.5m	24m	
3.5m	2.9m	7.3m	11.2m	25.3m	

0038811 / 13		(CO)		(C90)	
H	L1	L2	L1	L2	
2.5m	3.1m	6.5m	11.2m	22.6m	
3.0m	3.4m	7.2m	12.3m	25.3m	
3.5m	3.5m	7.8m	13.2m	28m	

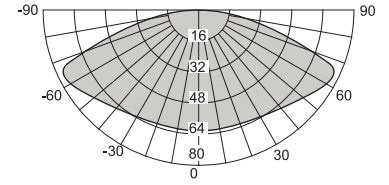


Average Beam Angle: 50°

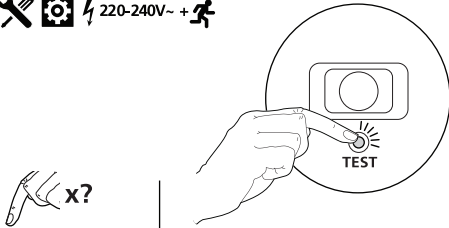
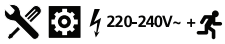
Open Area Lens

0038810 / 12		CO/C90	
H	L1	L2	
2.5m	5.4m	11.9m	
3.0m	5.7m	12.8m	
3.5m	5.9m	13.5m	

0038811 / 13		CO/C90	
H	L1	L2	
2.5m	5.9m	12.8m	
3.0m	6.4m	14m	
3.5m	6.9m	15.2m	

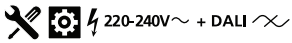


Average Beam Angle: 50°



x	TEST	Duration
x1		30s
x2 (<2s)		3mins
x3 (<2s)		30mins
x4 (<2s)		1hrs/3hrs

LED INDICATION		STATUS		COMMENT
LED Colour	Status	Flashing		
		ON	OFF	
Green		∞		✓ Ready / Normal Operation
Red		0.5 sec	4.0 sec	Battery disconnected
		0.5 sec	4.0 sec	Low battery
		0.5 sec	4.0 sec	Charge board fault
		0.5 sec	4.0 sec	AC/DC transfer fault
		0.5 sec	4.0 sec	LED lamp fault



LED INDICATION		STATUS		COMMENT
LED Colour	Status	Flashing		
		ON	OFF	
Green		∞		✓ System OK
		0.1 sec	0.1 sec	Functional Test in Progress
		1.0 sec	1.0 sec	Duration Test in Progress
		0.5 sec	4.0 sec	Inhibit mode
Red		∞		Open circuit / Short circuit / LED failure
		0.1 sec	0.1 sec	Charging failure
		1.0 sec	1.0 sec	Battery failure
Red/Green			∞	Emergency Mode
				Identification Mode Address Identification (binary). Red = 1, Green = 0. E.g. 000011 = SA3